

Please read the user manual before using the product and keep it for future reference.

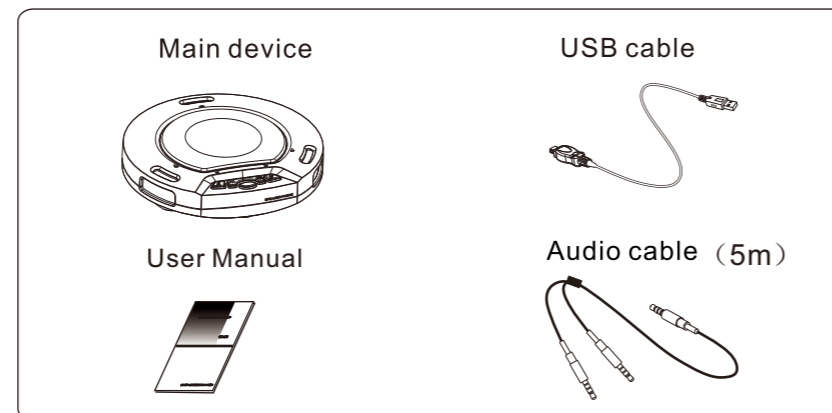
Produce Overview

Thanks for choosing our conference phone products. The conference phone is intended for high-quality Internet phone conference, whether through USB interface on a PC, or through the headphone jack to serve as a wireless speaker/ microphone for a mobile phone (Limited to some models). Being portable, it comes in elegant design. The pickup direction of microphone can be set in accordance with the conference scene (Limited to some models). Suitable for use in conference hall and small office. The product leads the trend in the industry to be equipped with full duplex audio technology, which can be used for a two-way, smooth and high-quality communication. Besides, the product can be used as an extended microphone and loudspeaker box of the PC and mobile phone, by which you can listen to music.

Main features:

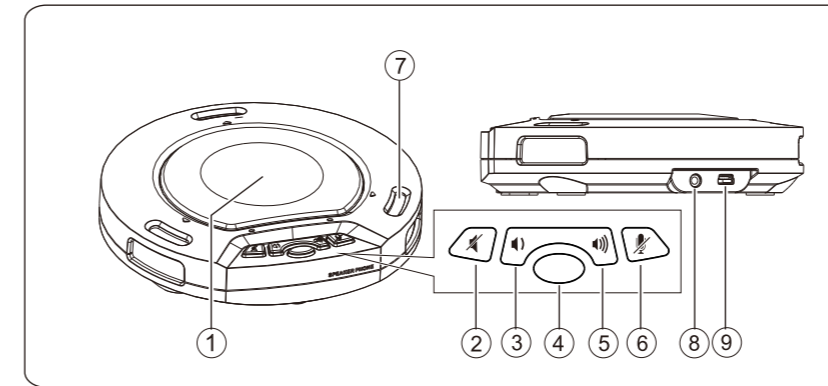
1. Light, classical and elegant, easy to carry.
2. Firm and compact structural design.
3. Full duplex new technology, high audio effect.
4. Supporting Internet call conference on the PC.
5. Supporting mobile phone conference
6. Supporting music playing
7. Plug-and-play USB interface does not require driver.
8. Power feeding through USB bus supply, easy and convenient.

Packing List



Device Description

A. Description of Structure and Functions



1. Loudspeaker:

The loudspeaker produces sound in response to an electrical audio signal input.

2. Loudspeaker Mute button

Press turn off the sound output of the loudspeaker. Press again to turn on the sound output of the loudspeaker.

3. VOL - Button

Press to turn down the sound of the loudspeaker gradually.

4. button (Limited to some models) or button (Limited to some models):

Press the button to select the pick-up direction of the microphone in order. Press the button, from speech mode into music mode, then once again back to speech mode. In the music mode, all microphone will be closed.

5. VOL + Button

Press in turn, it will gradually turn up the sound of the loudspeaker.

6. Microphone Mute Button

Press to turn off all microphones. To cancel the mute function, please press again.

7. Microphone:

Pick up sound.

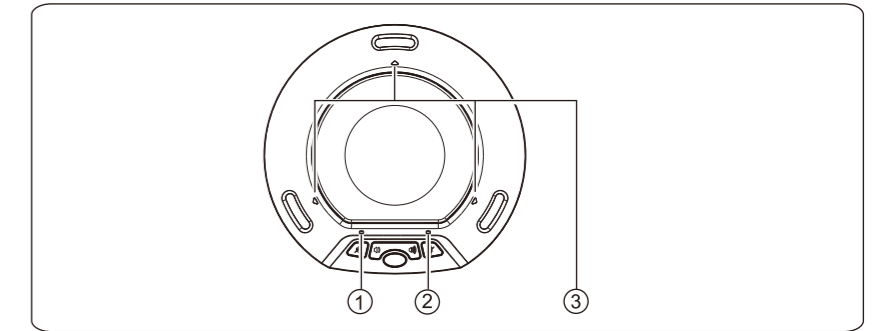
8. AUDIO port:

Used to connect with audio cable.

9. USB port:

Used to connect with USB cable.

B. Description of Indicator Status



1. Bottom left indicator: When the loudspeaker gives out sound normally, the light is off; when the loudspeaker is muted, the light is on; when the loudspeaker is adjusted to the maximum/minimum volume, the light will blink.

2. Bottom right indicator: When the microphone is picking sound normally, the light is off; when the microphone is muted, the light is on.

3. Triangular indicator: Equipment working status indicator light.

Description of Function Application

A. Operations of Internet Call Conference on the PC

As an external microphone and loudspeaker product of the PC, the device can be used for Internet call conference on the PC.

1. Preparation before Installation

This device is applicable for computer equipment installed with operating systems such as Microsoft Windows XP / Vista / 7 / 8. USB 1.1 or higher (USB 2.0 recommended) port and Internet connection are required; an IM application or VoIP package (e. g., QQ, Skype) with network call function should be installed.

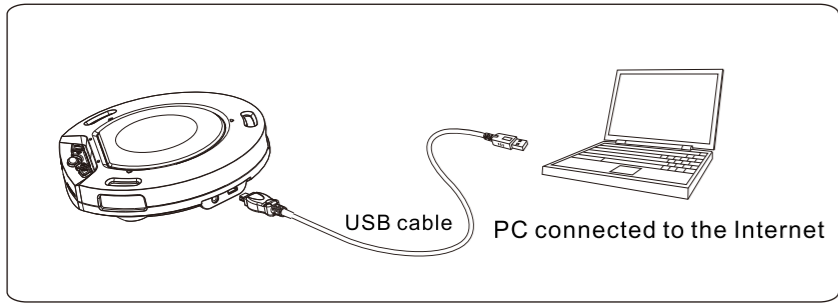
The USB cable of the device is plug-and-play without the need of driver installation.

2. Installation before Use

As shown in the picture, insert one end of the attached USB cable into the USB port of the product, with the other end inserted into the USB port of the PC. At this moment, the USB driver will be automatically installed on the PC which feeds power to the product.

Attention: 1) You cannot connect other loudspeaker products together with the device to the PC.

2) Please connect the device directly to the PC. Connecting via USB hub might result in operation problems.



3. Voice Call

Launch the software with the function of Internet call on the PC, enable the phone function according to the instruction of the software. After the Internet call gets through, you can have an Internet call with your counterpart.

4. Adjusting the sound volume of the loudspeaker

During the conference call, if the sound volume of the loudspeaker is too low or too high, you can press or of the main device repeatedly to adjust it to a suitable level. If the sound volume is still not proper, you can adjust the sound volume of the loudspeaker on the PC.

5. Adjusting the sound volume of the microphone

During the conference call, if the sound heard by the counterpart is too low or too high, you can ask the counterpart to adjust the sound volume of the receiver. If it's still not proper, you can adjust the sound volume of the microphone on the PC.

6. Mute the microphone

During the conference call, to mute your sound, please press of the main device. The mute indicator of the microphone on the device will be on while the indicator of the working microphone will be off. At this time, you can hear the sound of the counterpart, but the counterpart cannot hear your sound. To cancel the mute status, please press of the main device again. At this moment, the mute indicator of the microphone will be off while the indicator of the working microphone will be on.

7. Mute the loudspeaker

During the conference call, press to turn off the sound of the speaker, and the mute indicator of loudspeaker will turn on; to turn on the sound of the loudspeaker, please press again and the mute indicator of loudspeaker will turn off.

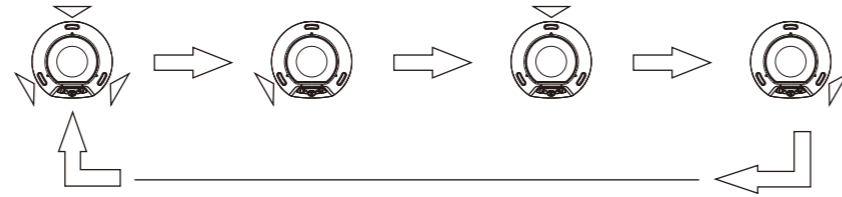
8. End the conference call

In accordance with the operation instructions of the Internet call software, end the call with the counterpart to end the Internet call

conference.

9. Selection of the pick-up direction of the microphone(Limited to some models)

It's default to enable all microphones when the product is started up. At this moment, press in turn, it will select the pick-up direction of the microphone in order. Press the button once, twice, thrice, it will select each single microphone clockwise from left to right. Press the button again to return to the original status, as shown in the picture below.



The indicator for working microphone will turn on.

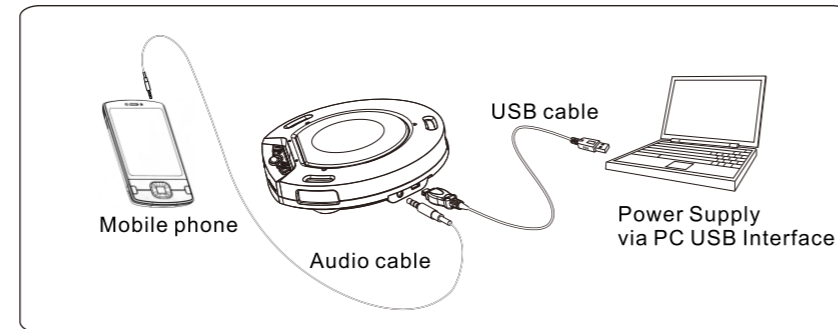
Attention: Please cancel the mute function before enabling the microphone.

Attention: During the use, if some mal-function occurs, please plug out and re-insert the USB cable so that the product can be powered off and re-started.

B. Function Operation of Mobile Phone Conference(Limited to some models)

When using as an external portable microphone and loudspeaker of the mobile phone, it can be used for mobile phone conference.

1. Installation before the Use



As shown in the picture, firstly insert one end of the attached USB cable into the USB port of the device, with the other end inserted the

USB port of the PC. At this moment, the Triangular indicators on the device will be on, which indicates that the device is started. In the second step, insert one end of the audio cable to the audio port of the device; at this time, the lit indicator will change to another color. Finally, insert the other end into the headset outlet of the mobile phone. Now you can conduct the function operation of mobile phone conference.

2. Function Operation

After the mobile phone is connected, you can make a call following the operation method of the mobile phone. After getting through to the counterpart, you can have a conference call on your mobile phone.

The operations of the functions such as adjustment of sound volume of the loudspeaker, adjustment of the sound volume of the microphone, the selection of pick-up direction of the microphone and the muting of microphone and loudspeaker are the same with those of Internet call conference.

You can end the mobile phone conference by pressing the Hang-up button.

C. Music Playing and Audio Recording (Limited to some models)

The product can be used as an external portable microphone and loudspeaker of the PC or mobile phone. Following the aforesaid connection method, you can play the music and record sound on the PC with the music player or recording app on the PC or mobile phone.

Attention: In the phone conference, please turn off the music playing and recording on the PC.

Attentions to Obtain the Best Performance

- To obtain the best performance, please read the operation instruction carefully and keep it for future reference.
- Please install the product in a dry place with good ventilation, avoiding direct sunlight, vibration, wet and cold, and keep away from heat source and dust.
- Please keep the product far from motor, transformer, and other electronic equipments to avoid disturbance.
- The product shall not be exposed to large temperature variations or high humidity, in order to prevent condensation occurring inside, which may cause electric shock, fire, damage to the equipment, or personal injury.
- Never install the product in a place where external objects may drop and liquid may splash.
- The following objects shall never put on the product:
 - Sporadic components, since they will cause damage and discoloration